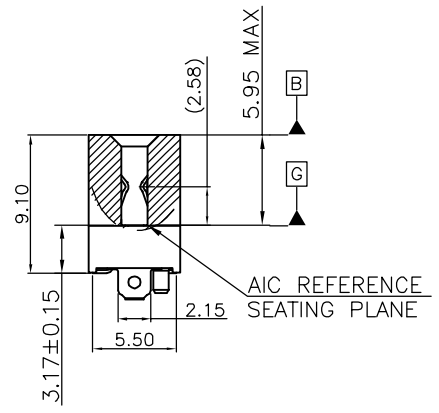
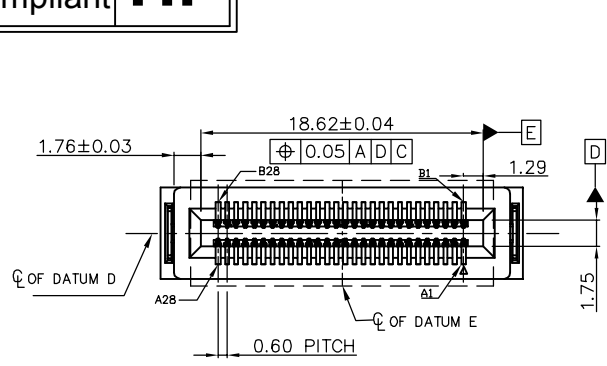
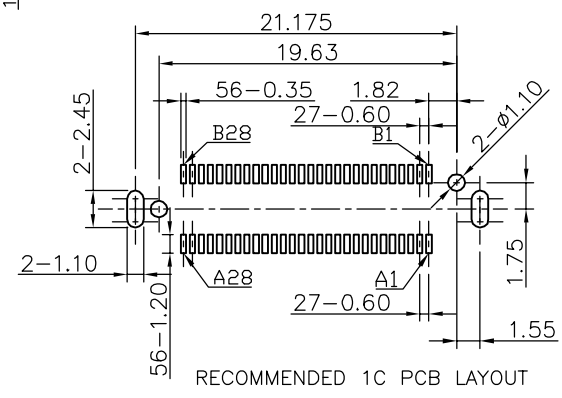
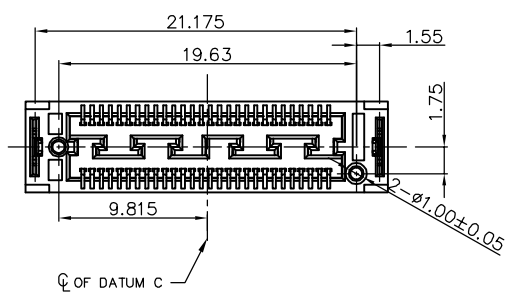
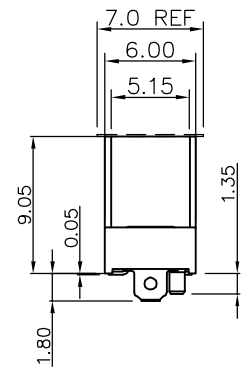
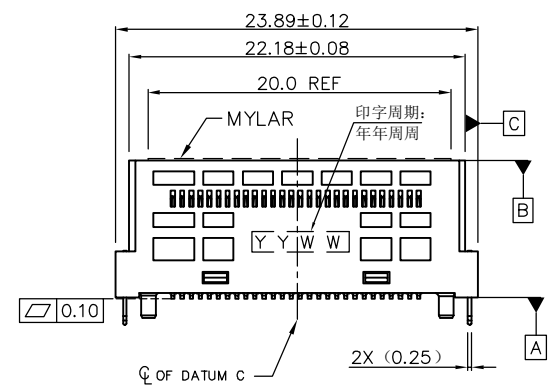
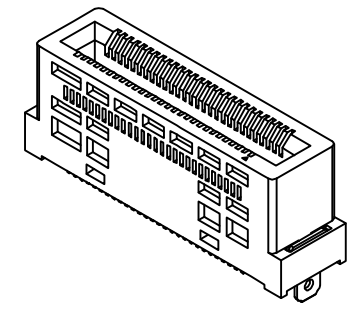


RoHS Compliant HF

REV.	ECN.NO.	MODIFY.CONTENT
X1	2023-10-12	NEW
X2	2023-10-25	Update drawings



- NOTES:
- MATERIAL:
HOUSING: HIGH TEMPERATURE THERMOPLASTIC 94V-0, BLACK COLOR
TERMINAL: COPPER ALLOY
BOARD LOCK: COPPER ALLOY
 - PLATING:
TERMINAL: SELECTIVE Au (SEE ORDER INFORMATION) ON CONTACT AREA, MATTE TIN ON SOLDER TAIL AREA, BOTH OVER Ni UNDERPLATED.
 - THIS LAYOUT REFER TO THE SPECIFICATION OPC-NIC 3.0
 - MECHANICAL CHARACTERISTICS
 - MATING FORCE (MODULE TO CONNECTOR)
56PIN 1C = 30.8 N MAX.
 - MATING UNMATING FORCE
56PIN 1C = 2.8 N MIN.
 - DURABILITY: 200 CYCLES.
 - ELECTRICAL CHARACTERISTICS
 - CONTACT CURRENT RATING: 1.1AMPS . PER PIN.
 - INSULATION RESISTANCE: 1000 MEGOHMS
 - DIELECTRIC WITHSTANDING VOLTAGE:300 VAC CURRENT LEAKAGE:0.5mA MAX
 - LOW LEVEL CONTACT RESISTANCE:
INITIAL:30 MILLIOHMS MAX, DELTA:15 MILLIOHMS MAX.
 - OPERATING TEMPERATURE RANGE: -40°C TO +85°C .
 - THE PRODUCT DRAWING PER SFF-TA-1002 Rev:1.2



P/N: GENZ-*** L * * 1 **

056:56Pin

0: WITH LOGO

1: WITHOUT LOGO

0: TAPE REEL

1: TRAY

46: Au15u"/Sn80u"/Ni50u"

47: Au30u"/Sn80u"/Ni50u"

1: TYPE A

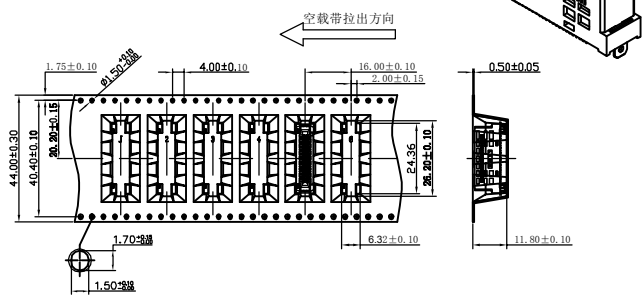
GENERAL	TOLERANCE	DWG.NO.	GENZ-056L10100	PART.NO.	GENZ-056L101**	DRAWN	TJNY 2023-10-12
x.±0.50	x.±5°	REV.	X2	TITLE	GEN Z 1C (SFF TA-1002)	CHECKED	
.x±0.25	.x±2°	SIZE	A4	SHEET	1 OF 2	APPROVED	
.xx±0.15	.xx±1°						

UNIT mm SCALE 1:1

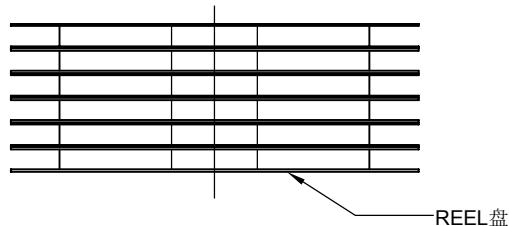
OLN 东莞市欧联电子科技有限公司
DONGGUAN OLN ELECTRONICS TECHNOLOGY CO., LTD.

包装作业图示及说明 (PACKING OPERATION DIAGRAM & INSTRUCTION)

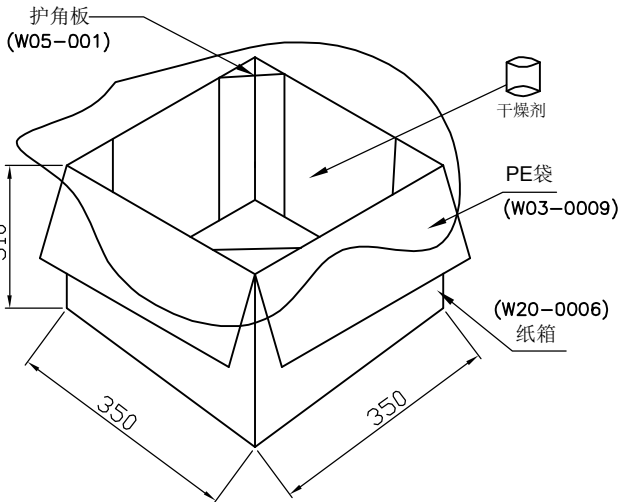
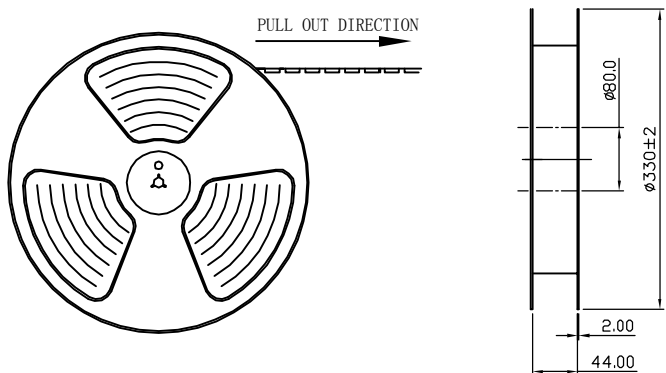
- 一. 1) 将成品一一放入REEL包装盘内,依同一方向放入
 2) 包装时,如图所示.
 3) 一个REEL包装盘放置300个成品



- 三. 1) 每箱装 6 盘REEL包装盘.
 2) 每箱放置 1800 PCS 的成品.



- 二. 1) 装盘前先把前面空15pcs产品,然后再开始装盘, 尾端也需空15pcs产品,上带加长200mm.
 2) 装满成品的REEL包装盘如下图所示.



- 四. 1) 用TAPE將紙箱封實.

備註 (REMARK)

1. 若有未裝滿之零數箱,必須以緩衝材塞滿.

GENERAL TOLERANCE	DWG.NO.	GENZ-056L10100	PART.NO.	GENZ-056L101**	DRAWN	Tony 2024-02-10
x.±0.50	REV.	X1	TITLE	GEN Z IC (SFF TA-1002)	CHECKED	
.x±0.25	SIZE	A4	SHEET	2 OF 2	APPROVED	
.xx±0.15						